

DC 2435 / 2445

Simply versatile: Reliable
efficiency every day.



DC 2435 / 2445
Multifunction System
Copy / Print / Scan / Fax
A3

DC 2435 / 2445

We have combined simplicity and reliability. The DC 2435 and DC 2445 digital A3 multifunctional systems make child's play of printing, copying, colour scanning and faxing (optional). Both systems feel particularly at home in office environments with medium volumes, where they process all tasks in a reliable manner. And a choice of optional accessories enables the system to be even further tailored to user needs.

Versatility

Both systems effortlessly meet countless requirements for communications tasks and ensure perfect results.

Paper management creates the framework required to process formats up to A3+ (305 x 457 mm) and paper weights of up to 300 g/m².

And thanks to Dual Scan*, both sides of a document are scanned in a single operation. This preserves the original and saves a great deal of time.

Both systems are operated by means of a large and clearly laid out touch screen.

Features

Printing: The duplex unit gives you the option to print on both sides and thereby save paper. And the speed will also impress you: The first page is printed after 6.0/5.3 seconds (DC 2435/DC 2445). Furthermore, the network interface allows the system to be used in teams.

Copying: Both systems are extremely efficient thanks to their speed: The first page is copied after 5.6/4.7 seconds (DC 2435/DC 2445). The high quality results are also impressive.

Scanning: The diverse scan options are striking due to the fact that colour scans can also be produced. The USB host also allows scans to be saved directly to a USB stick.

Further options

Faxing: As an option, both systems can be upgraded to incorporate fully equipped fax machines and can therefore take on additional communication tasks.

Dual Scan: This function enables both sides of an original document to be scanned simultaneously in a single operation, which preserves the original document and saves time.

Stapling finisher: This function creates stapled and/or hole-punched documents in a very professional manner at the touch of a button.

Paper management: The maximum paper capacity of up to 7,150 sheets and the option to process paper weights of up to 300 g/m², e.g., for cover sheets and dividers, make both systems especially flexible.

*option

It's the simple and reliable things that we like to use every day.





DC 2435 / DC 2445

Multifunctional system

*Printing, copying, scanning, faxing**

Models for office environments and medium volumes

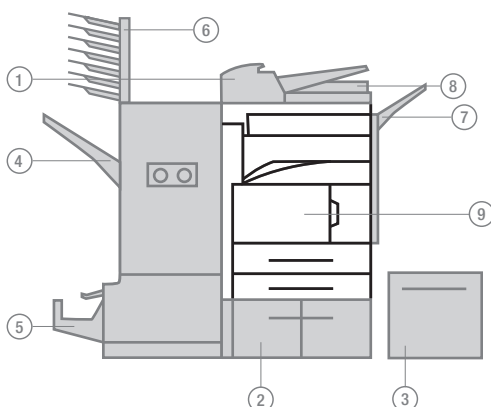
A3

Standard features: 2 x 500 sheet universal cassettes, duplex unit and 160 GB hard disk

Highlights

- Simple operation using a large and clearly laid out touch screen
- Installation of up to 1,000 management codes for job accounting
- The first page is copied after 5.6/4.7 seconds (DC 2435/DC 2445)
- Dual Scan* scans both sides of the page in a single operation
- USB host for direct print function from USB sticks and scanning to USB
- Finishing* to create stapled/hole-punched documents and brochures, tri-folding for letters, offline stapling
- Processing of paper weights of up to 300 g/m² and formats up to A3+ (305 x 457 mm)
- Paper capacity: Standard capacity of 1,150 sheets, maximum capacity of up to 7,150 sheets*

* option



1) Platen cover* or original feeder

2) Universal cassettes*, large capacity cassette or cabinet*

3) Side-mounted large capacity cassette

4) 1,000* or 4,000 sheet staple finisher with optional punch unit

5) Brochure module for the 4,000 sheet finisher, tri-fold

6) Multi tray for the 4,000 sheet finisher

7) Job separator

8) Document tray*

9) Fax system*

*no illustration

□ Basic version
 ■ Options

DC 2435 / 2445

Technical data



| General | |
|------------------------------|---|
| Type | Desktop |
| Function | Copy, print, scan, optional: fax |
| Print technology | Laser b/w |
| Original format | max A3 from platen glass |
| Copy/print speed | DC 2435: max 35 A4 pages/min and max 17 A3 pages/min DC 2445: max 45 A4 pages/min and max 22 A3 pages/min |
| 1st page (copy/crint) | 5.6/6 seconds* (DC 2435), 4.7/5.3 seconds* (DC 2445) |
| Warm-up time | 23 seconds |
| Copy resolution | 600 x 600 dpi, 9,600 x 600 dpi level |
| Greyscales | 256 |
| Paper feed | 2 x 500 sheet universal cassettes (A5R–A3+ [max 305 x 457 mm]), 150 sheet multi-bypass (A6R–A3+, Banner [305 x 1,219 mm]), A3+ only for print |
| Paper weights | Universal cassette 60–220 g/m ² , multi-bypass 60–300 g/m ² , duplex 60–256 g/m ² |
| Paper output | 250 sheet A4 |
| System memory | 1,024 MB RAM, 160 GB HDD** |
| Continuous copying | 1–999 copies |
| Zoom | 25%–400% in steps of 1% |
| Functions | Adjustable touch screen, duplex, 1,000 management codes, multi tasking controller, direct printing from USB stick, etc. |

| Print System | |
|--------------------------|--|
| Type | Integrated within the system |
| Print format | A6R–A3+ |
| Print resolution | 600 x 600 dpi, 9,600 x 600 dpi level |
| Processor | PowerPC 750CL/600 Mhz |
| Interfaces | USB 2.0, 10/100/1000BaseTX, USB host, CF slot |
| Network protocols | TCP/IP, IPX/SPX, Net BEUI, EtherTalk |
| Operating systems | Windows XP, Vista, Windows 7, Server 2003/2008 R2, Novell NetWare, Linux, Mac ex OS 10.4 |
| Emulations | PCL6, KPDL 3 (PostScript 3 compatible), XPS, PRESCRIBE IIe |
| Functions | PDF direct printing, printing of e-mails, private printing, barcode printing |

| Scan system | |
|--------------------------|---|
| Scan type | CCD colour and b/w |
| Scan format | max A3 |
| Scan speed | b/w: max 80/160 A4 originals/min (simplex/duplex), colour: max 50/80 A4 originals/min (simplex/duplex) with DP-771 |
| Scan resolution | 200 dpi, 300 dpi, 400 dpi, 600 dpi |
| Scan mode | Photo, text, photo/text, OCR |
| File types | TIFF, PDF, JPEG, XPS |
| Interface | 10/100/1000BaseTX |
| Network protocol | TCP/IP |
| Operating systems | Windows XP, Vista, Windows 7, Server 2003/2008 R2 |
| Functions | Scan to SMB, scan to e-mail, scan to FTP, scan to USB, TWAIN-scan (Windows XP, Vista, Windows 7, Server 2003/2008 R2), WIA-scan (Windows Vista, Windows 7, Server 2008 R2), SMTP authentication, LDAP, PDF compression and encryption |

| Compression method | |
|---------------------------|--|
| Compression method | JBIG, MMR, MR, MH |
| Fax resolution | Standard (200 x 100 dpi), fine (200 x 200 dpi), super fine (200 x 400 dpi), ultra fine (400 x 400 dpi), 600 x 600 dpi |
| Fax memory | 12 MB (max 120 MB) |
| Abbreviated dial | 2,000 numbers |
| One touch dial | 100 numbers |
| Group dial | 500 numbers |
| Operating systems | Windows XP, Vista, Windows 7, Server 2003/2008 R2 |
| Functions | Network fax driver, automatic redialling, delayed transmission, max 2 fax kits for parallel transmission and reception |

| Options | |
|------------------------|---|
| Original feeder | DP-770 document processor with automatic reverse function (A5R–A3, capacity: 100 sheet A4, paper weight 45–160 g/m ²), DP-771 document processor with simultaneous duplex scanning (A5R–A3, capacity: 175 sheet A4, paper weight 35–220 g/m ²) |
| Platen cover | Platen cover type E (if document processor is not installed) |
| Finisher | DF-770 (capacity: 1,000 sheet A4, stapling max 50 sheet A4), DF-790 (capacity: 4,000 sheet A4, stapling max 65 sheet A4), PH-7C hole punch unit for DF-770/790, BF-730 brochure module for DF-790 (max 16 sheet saddle stitching and folding A4/A3, tri-folding max 5 sheet A4), MT-730 multi tray for DF-790 |
| Job Separator | JS-730 (inner), JS-731 (outer) |
| Paper feed | PF-730 (2 x 500 sheet universal cassettes [A5R–A3+]), PF-740 (3,000 sheet large capacity cassette [A4]), PF-770 (3,000 sheet large capacity tray [A4], side deck) |
| Other options | Data security kit (E), Internet fax kit (A), Printed document guard kit (A), Card authentication kit (B), UG-33 ThinPrint® kit, UG-34 Emulation option kit, IB-50 Gigabit Ethernet card, DT-730 Document tray, cabinet no. 63 |
| | The DC 2435 and the DC 2445 are manufactured in accordance with the requirements of the Energy Star Program. |

*Depending on operating status.

Specifications subject to change without notice.

**For copy, print, scan and fax.

Image shows machine with optional accessories.

TA Triumph-Adler is the document business expert. We offer our clients individual analysis, consultancy and efficient document workflows - not only on paper, but also electronically and with long-term service. For whenever professional users manage, print, photocopy, fax, present or archive documents, or need to optimise processes, TA Triumph-Adler concepts and solutions are the first choice. Our customers benefit greatly from the user-optimised technologies offered by our innovative systems. TA Triumph-Adler and the TA Triumph-Adler logo are registered trademarks of TA Triumph-Adler GmbH. All other brand names are the registered trademarks of their respective owners.



HyPAS

TA Triumph-Adler